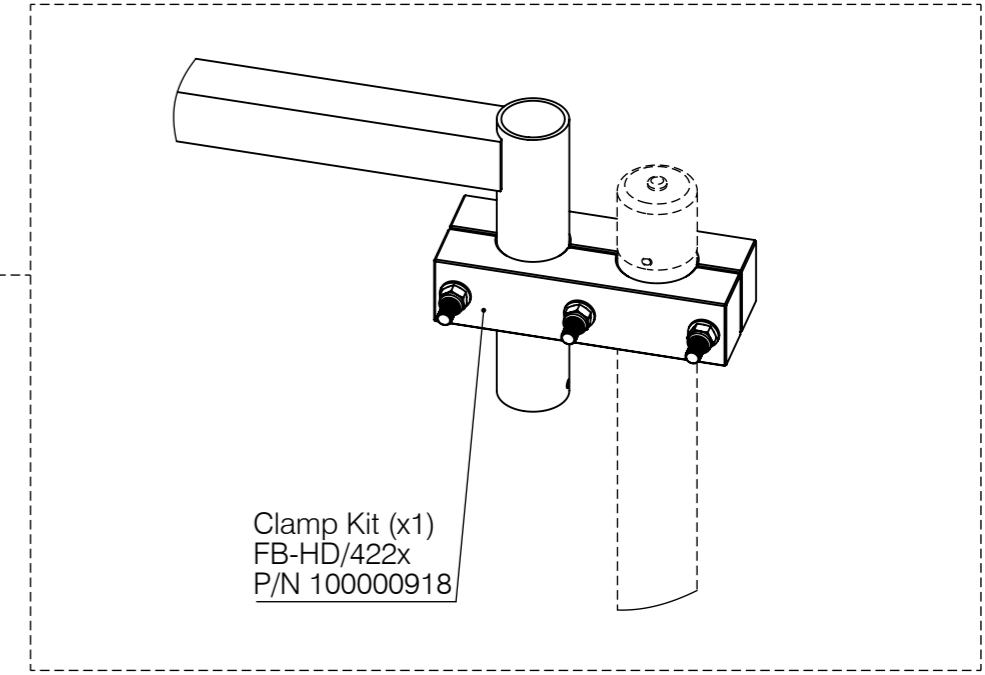
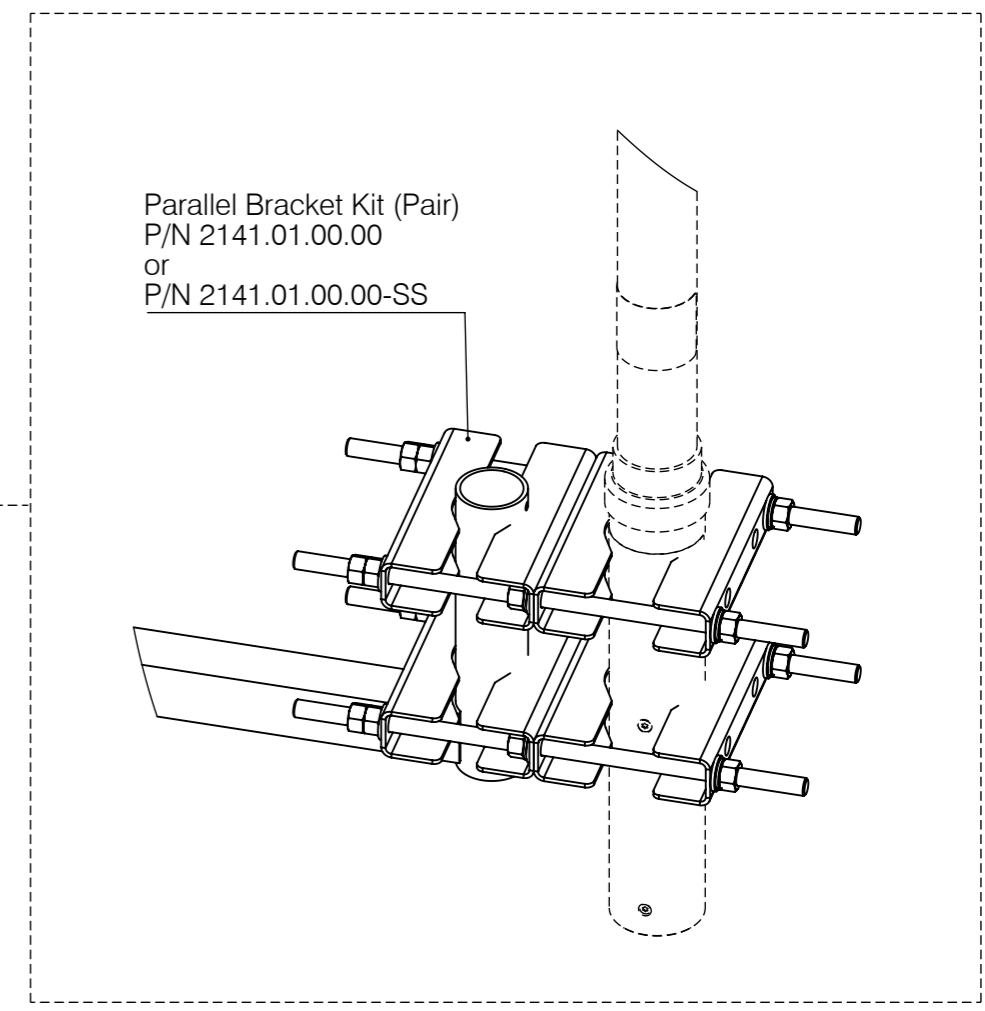


Slidable Side-Mounting Clamp (x2)  
SMC2300/65-105  
P/N 100000047



Clamp Kit (x1)  
FB-HD/422x  
P/N 100000918



Parallel Bracket Kit (Pair)  
P/N 2141.01.00.00  
or  
P/N 2141.01.00.00-SS

4220-09-405-Tx Antenna  
(for reference)

Page 1 of 1	3. ANGLE PROJECTION: 
ACC:	ACC DATE:
CONSTR.:	DATE: 22.05.2023 CS
ITEM: Outline Slideable Side-Mounting Installation	ISSUE: 9900004-800 A

