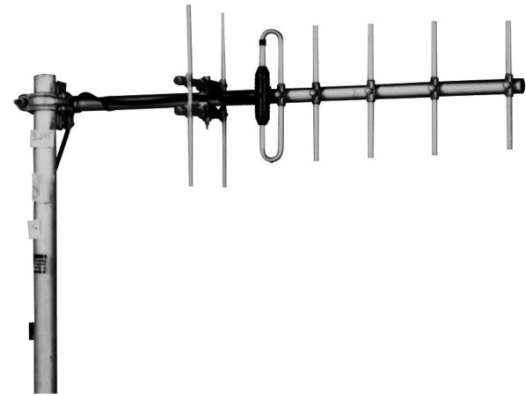


6 element Yagi 370 - 410 MHz

DESCRIPTION

- ▶ A 6-element UHF Yagi antenna for PMR/Trunked Radio and Broadcast applications.
- ▶ Produced to the highest quality standards, these robust antenna designs will ensure reliable operation in harsh environmental conditions.
- ▶ Former Jaybeam brand product.



SPECIFICATIONS

Electrical	
Model	7042390
Frequency	370 - 410 MHz
Max. Input Power	150 W
Polarisation	Linear (Vertical or Horizontal)
3 dB Beamwidth, E-Plane	56 °
3 dB Beamwidth, H-Plane	64 °
Impedance	50 Ω
Gain	8.5 dBd (10.7 dBi)
VSWR	< 1.5:1
Front-To-Back Ratio	> 16 dB
Antistatic Protection	All metal parts DC-grounded (Connector shows a DC-short)

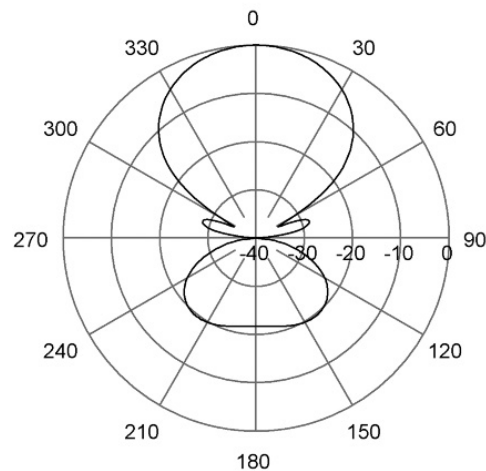
Mechanical	
Connection(s)	N(f) on 3m RG213/U cable
Materials	Boom, 32 mm dia. aluminium elements, 12.7 mm dia. aluminium balun, Fully moulded enclosure
Length	Approx. 1280 mm / 50.39 in.
Wind Load	96 N (160 km/h)
Weight	Approx. 2.3 kg / 5.07 lb.
Mounting Bracket	3202078/68 + 3201079/00 (Ordered Separately)
Alternate Mounting Bracket	0900912/00, 0302032/68, or 0300064/00 + U-Bolts to match mounting pipe diameter (Ordered Separately)

ORDERING

Model	Product No.	Frequency
6 element Yagi	7042390	370 - 410 MHz

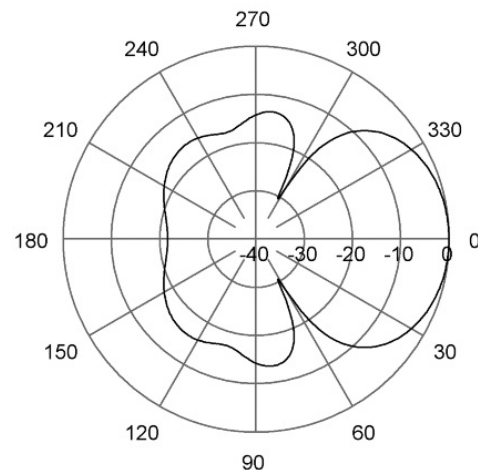
Accessories		
Galvanised steel crossover bracket 32/50 mm	0900912/00	
Pressed steel cross clamp 2" x 1-1/4" (JBL73)	0302032/68	
Cast aluminium cross clamp, circular	0300064/00	
M8 x 50 mm (2") U-Bolts (1 Pair)	4884036/00	
M8 x 75 mm (3") U-Bolts (1 Pair)	4884076/00	
Fixed norstel / coupler clamp (cross clamp)	3202078/68	
Increasing sleeve	3201079/00	

RADIATION PATTERNS



E-Plane | 390 MHz

RADIATION PATTERNS



H-Plane | 390 MHz

