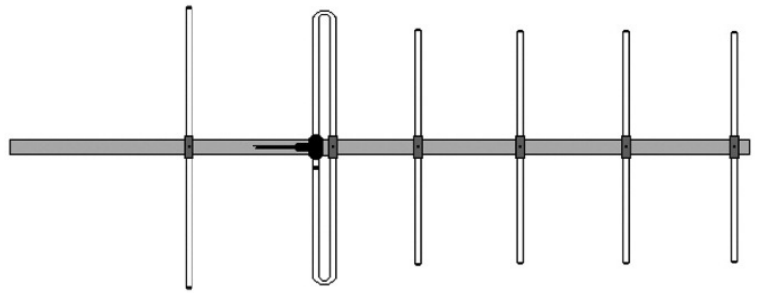


6 element Yagi 105 - 115 MHz

DESCRIPTION

- A 6-element Heavy Duty VHF Yagi antenna for high power Broadcast and extended range VHF Aircraft Band applications.
- Produced to the highest quality standards, these robust antenna designs will ensure reliable operation in harsh environmental conditions.
- Former Jaybeam brand product.



SPECIFICATIONS

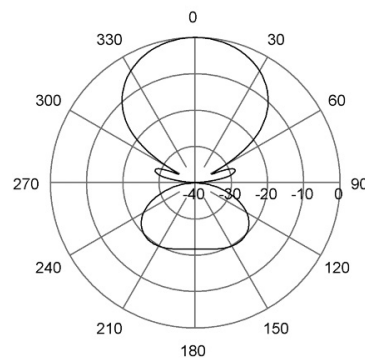
Electrical	
Model	7130110
Frequency	105 - 115 MHz
Max. Input Power	150 W
Polarisation	Linear (Vertical or Horizontal)
3 dB Beamwidth, E-Plane	56 °
3 dB Beamwidth, H-Plane	64 °
Impedance	50 Ω
Gain	8.5 dBd (10.7 dBi)
VSWR	< 1.5:1
Front-To-Back Ratio	> 17 dB
Antistatic Protection	All metal parts DC-grounded (Connector shows a DC-short)

Mechanical	
Connection(s)	N(f) on 3m RG213/U cable
Materials	Boom, 38 mm dia., aluminium elements, 19.1 mm dia., aluminium balun, fully moulded enclosure
Dimensions	3680 x 1650 x 120 mm / 144.88 x 64.96 x 4.72 in.
Wind Load	376 N (160 km/h)
Weight	Approx. 9.9 kg / 21.83 lb.
Mounting Bracket	3202078/68 + 3201079/00 (Ordered Separately)
Alternate Mounting Bracket	0300064/00 + U-bolts to match mounting pipe diameter (Ordered Separately)

ORDERING

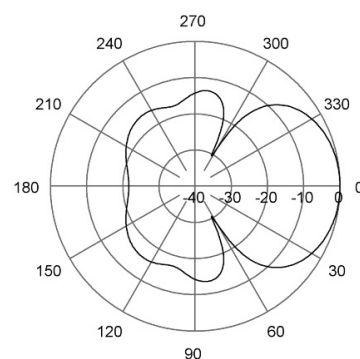
Model	Product No.	Frequency
6 element Yagi	7130110	105 - 115 MHz
Accessories		
Cast aluminium cross clamp, circular	0300064/00	
M8 x 50 mm (2") U-Bolts (1 Pair)	4884036/00	
M8 x 75 mm (3") U-Bolts (1 Pair)	4884076/00	
Fixed norstel / coupler clamp (cross clamp)	3202078/68	
Increasing sleeve	3201079/00	

RADIATION PATTERNS



E-Plane | 110 MHz

RADIATION PATTERNS



H-Plane | 110 MHz

