

Cardioid array 192-208 MHz

DESCRIPTION

A linear array of two VHF dipole elements with phasing harness mounted on an aluminium boom. Careful attention to element phasing results in a "Cardioid" shaped radiation pattern with high F/B ratio compared to an equivalent sized Yagi antenna. Antennas of this type find use in PMR/Trunked Radio and Broadcast applications needing very high F/B performance. Produced to the highest quality standards, these robust antenna designs will insure reliable operation in harsh environmental conditions.

- Former Jaybeam brand product.

SPECIFICATIONS

Electrical	
Frequency	192 - 208 MHz
Max. Input Power	150 W
Polarisation	Vertical
3 dB Beamwidth, E-Plane	75 °
3 dB Beamwidth, H-Plane	180 °
Impedance	50 Ω
Gain	2.8 dBd (5 dBi)
VSWR	< 1.5:1
Front-To-Back Ratio	> 20 dB
Antistatic Protection	All metal parts DC-grounded (Connector shows a DC-short)
Mechanical	
Connection(s)	N(f) on 3m RG213/U cable
Materials	Boom, 32 mm dia. aluminium elements, 19.1 mm dia. aluminium balun, fully moulded enclosure
Dimensions	1680 x 675 x 110 mm (L x H x D)
Wind Load	162 N (160km/h)
Weight	4.4 kg / 9.70 lb
Mounting Bracket	3202078/68 + 0900174/00 (Ordered Separately)
Alternate Mounting Bracket	0900912/00, 0302032/68, or 0300064/00 + U-Bolts to match mounting pipe diameter (Ordered Separately)

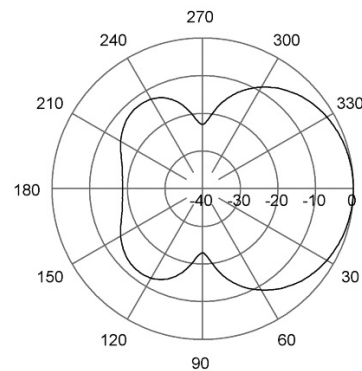
ORDERING

Model	Product No.	Frequency
Cardioid array 192-208 MHz	7170190	192 - 208 MHz
Accessories		
Galvanised steel crossover bracket 32/50mm	0900912/00	
Pressed steel cross clamp 2" x 1-1/4" (JBL73)	0302032/68	
Cast aluminium cross clamp, circular	0300064/00	
M8 x 50mm (2") U-Bolts (1 Pair)	4884036/00	
M8 x 75mm (3") U-Bolts (1 Pair)	4884076/00	
Fixed norstel / coupler clamp (cross clamp)	3202078/68	
Increasing sleeve 1"-1-29/32"	0900174/00	



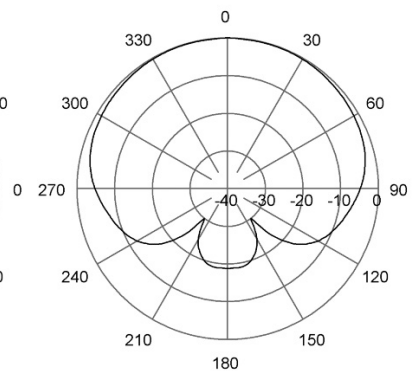
DIAGRAM

RADIATION PATTERNS



E-Plane | 200 MHz

RADIATION PATTERNS



H-Plane | 200 MHz

