

4 element Yagi 95 - 108 MHz

DESCRIPTION

- A 4-element Heavy Duty VHF Yagi antenna for high power PMR/Trunked Radio, Broadcast and extended range VHF Aircraft Band applications.
- Produced to the highest quality standards, these robust antenna designs will ensure reliable operation in harsh environmental conditions.
- Former Jaybeam brand product.



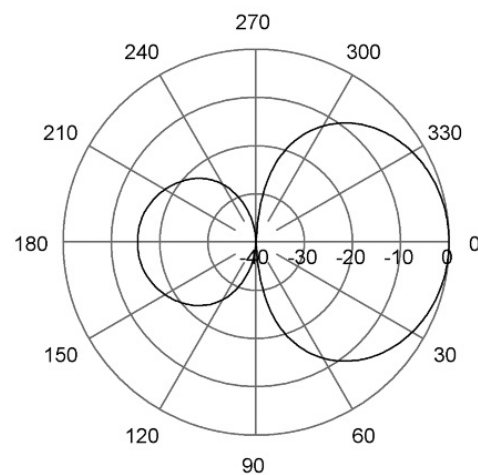
SPECIFICATIONS

Electrical	
Model	7210101
Frequency	95 - 108 MHz
Max. Input Power	300 W
Polarisation	Linear (Vertical or Horizontal)
3 dB Beamwidth, E-Plane	60 °
3 dB Beamwidth, H-Plane	90 °
Impedance	50 Ω
Gain	7.5 dBd (9.7 dBi)
VSWR	< 1.5:1
Front-To-Back Ratio	> 15 dB
Antistatic Protection	All metal parts DC-grounded (Connector shows a DC-short)
Mechanical	
Connection(s)	N(f) on 3m RG213/U cable
Materials	Boom, 48 mm dia., aluminium elements, 19.1 mm dia., aluminium balun, epoxy potted, polyester enclosure
Length	Approx. 2900 mm / 114.17 in.
Wind Load	360 N (160 km/h)
Weight	Approx. 10 kg / 22.05 lb.
Mounting Bracket	0300064/00 + U-bolts to match mounting pipe diameter (Ordered Separately)

ORDERING

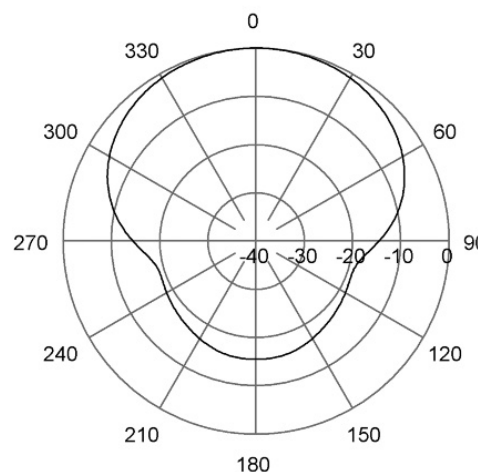
Model	Product No.	Frequency
4 element Yagi	7210101	95 - 108 MHz
Accessories		
Cast aluminium cross clamp, circular	0300064/00	
M8 x 50 mm (2") U-Bolts (1 Pair)	4884036/00	
M8 x 75 mm (3") U-Bolts (1 Pair)	4884076/00	

RADIATION PATTERNS



E-Plane | 102 MHz

RADIATION PATTERNS



H-Plane | 102 MHz

