

Heavy duty dipole 136 - 152 MHz

DESCRIPTION

- A Heavy Duty, VHF Center Fed Dipole antenna for PMR/Trunked Radio, Broadcast and VHF Aircraft Band applications.
- Multiple dipoles can be mounted on a tower and connected with a phasing harness to form a high gain, stacked array.
- Produced to the highest quality standards, these robust antenna designs will insure reliable operation in harsh environmental conditions.
- Former Jaybeam brand product.



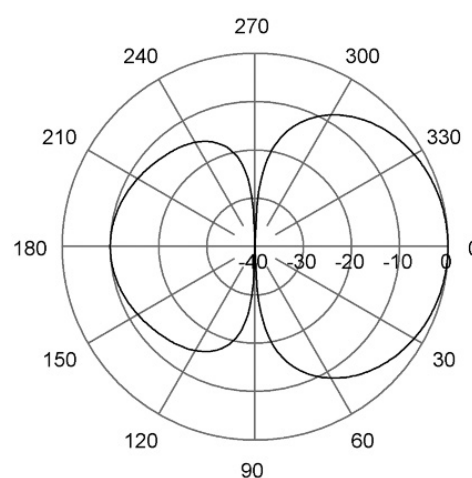
SPECIFICATIONS

| Electrical | |
|----------------------------|--|
| Model | 7323144 |
| Frequency | 136 - 152 MHz |
| Max. Input Power | 300 W |
| Polarisation | Linear (Vertical or Horizontal) |
| 3 dB Beamwidth, E-Plane | 80 ° |
| 3 dB Beamwidth, H-Plane | Will depend on mounting distance from mast. |
| Impedance | 50 Ω |
| Gain | 0 dBd (omni - will depend on mounting distance from mast) |
| VSWR | < 1.5:1 |
| Antistatic Protection | All metal parts DC-grounded (Connector shows a DC-short) |
| Mechanical | |
| Connection(s) | N(f) on 3m RG213/U cable |
| Materials | Boom, 48 mm dia., aluminium elements, 19.1 mm dia., aluminium balun, epoxy potted, polyester enclosure |
| Dimensions | 2000 x 1060 x 120 mm / 78.74 x 41.73 x 4.72 in. |
| Wind Load | 188 N (160 km/h) |
| Weight | Approx. 6.3 kg / 13.89 lb. |
| Alternate Mounting Bracket | 0300064/00 + U-bolts to match mounting pipe diameter (Ordered Separately) |

ORDERING

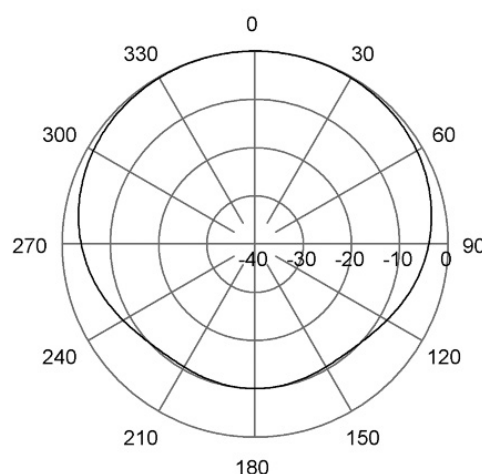
| Model | Product No. | Frequency |
|--------------------------------------|-------------|---------------|
| Heavy duty dipole | 7323144 | 136 - 152 MHz |
| Accessories | | |
| Cast aluminium cross clamp, circular | 0300064/00 | |
| M8 x 50 mm (2") U-Bolts (1 Pair) | 4884036/00 | |
| M8 x 75 mm (3") U-Bolts (1 Pair) | 4884076/00 | |

RADIATION PATTERNS



E-Plane | 144 MHz

RADIATION PATTERNS



H-Plane | 144 MHz