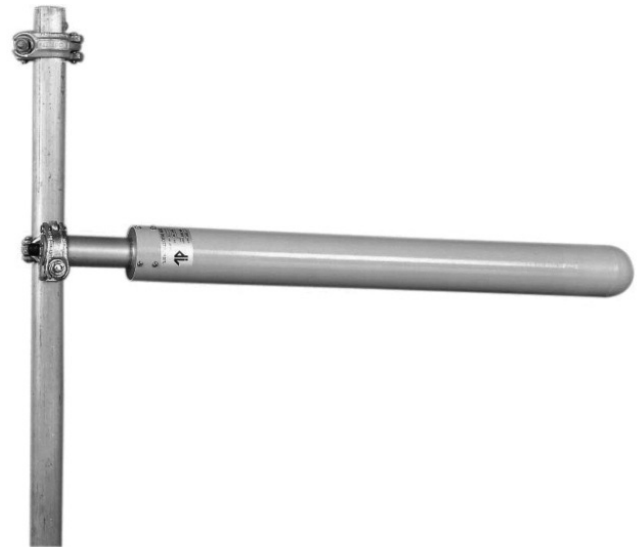


Shrouded Yagi 1710-1880 MHz

DESCRIPTION

- Our extensive and highly successful range of Shrouded Yagi antennas are currently being used in many communication systems around the world.
- Features that have contributed to the success of these antennas include robust construction, reliable compact designs, excellent performances and full type approvals where ever appropriate.
- Former Jaybeam brand product.



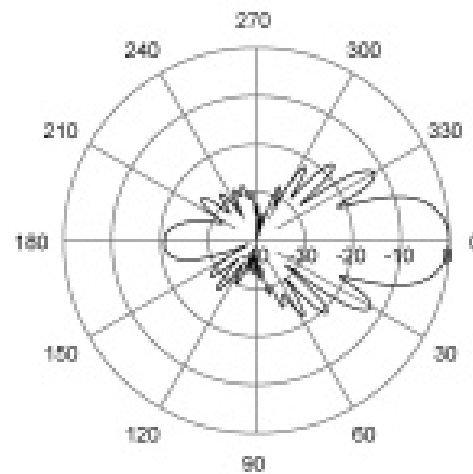
SPECIFICATIONS

| Electrical | |
|-------------------------|---------------------------------------------------------------------------|
| Model | 7360003 |
| Frequency | 1710 - 1880 MHz |
| Max. Input Power | 100 W |
| Polarisation | Vertical |
| 3 dB Beamwidth, E-Plane | 24 ° |
| 3 dB Beamwidth, H-Plane | 26 ° |
| Gain | 14.9 dBd (17 dBi) |
| VSWR | < 1.5:1 |
| Front-To-Back Ratio | > 20 dB |
| In iBwave | Yes |
| Mechanical | |
| Connection(s) | N(f) |
| Dimensions | 1260 x 86 mm / 49.6 x 3.4 in. |
| Wind Load | 120 N (160km/h) |
| Weight | 3 kg / 6.61 lb. |
| Mounting Bracket | 0300064/00 + U-bolts to match mounting pipe diameter (Ordered Separately) |
| Environmental | |
| Survival Wind Speed | 200 km/h |

ORDERING

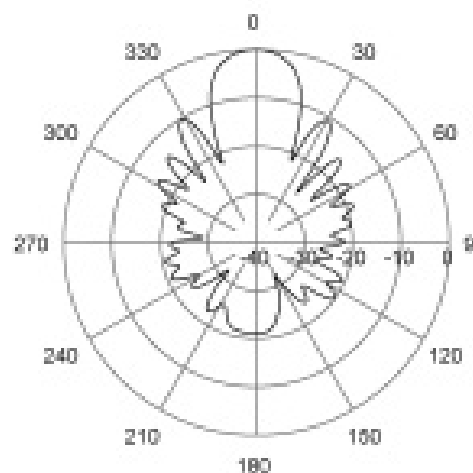
| Model | Product No. | Frequency |
|--------------------------------------|-------------|-----------------|
| Shrouded Yagi | 7360003 | 1710 - 1880 MHz |
| Accessories | | |
| Cast aluminium cross clamp, circular | 0300064/00 | |
| M8 x 50mm (2") U-Bolts (1 Pair) | 4884036/00 | |
| M8 x 75mm (3") U-Bolts (1 Pair) | 4884076/00 | |

RADIATION PATTERNS



E-Plane | 1795 MHz

RADIATION PATTERNS



H-Plane | 1795 MHz