

Directional Coupler 400 W

DESCRIPTION

- > Amphenol directional couplers are designed to give optimum performance between 698 - 2700 MHz.
- > Achieving PIM @ -153 dBc, IP 65 rating, makes them ideal for indoor or outdoor environments.
- > Standard coupling values of 3, 6, 10, 15, 20 and 30 dB are available.
- > Connector configurations of 4.3-10-Female.



SPECIFICATIONS

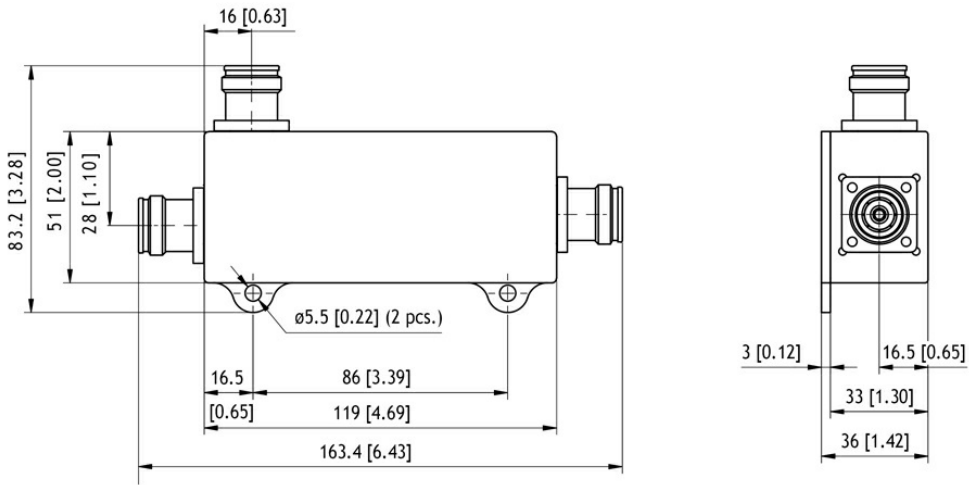
Electrical						
Frequency	698 - 2700 MHz					
Max. Input Power	400 W					
Peak Input Power	1.3 kW					
Coupling	3 dB	6 dB	10 dB	15 dB	20 dB	30 dB
Coupling Tolerance	± 0.8 dB	± 0.8 dB	± 1.0 dB	± 1.0 dB	± 1.0 dB	± 1.2 dB
Insertion Loss	≤ 3.6 dB	≤ 1.7 dB	≤ 0.7 dB	≤ 0.4 dB	≤ 0.3 dB	≤ 0.2 dB
Impedance	50 Ω					
Application	Indoor / Outdoor					
Isolation	≥ 23 dB	≥ 26 dB	≥ 30 dB	≥ 35 dB	≥ 40 dB	≥ 50 dB
VSWR	< 1.2:1					
Passive Intermodulation	< -153 dBc (2 x 43 dBm)					
Dissipative Loss	≤ 0.2 dB	≤ 0.15 dB	≤ 0.1 dB	≤ 0.1 dB	≤ 0.1 dB	≤ 0.1 dB
Mechanical						
Plating	Silver / Trimetal					
Connection(s)	4.3/10(f)					
Colour	Black					
Weight	0.56 kg / 1.23 lb					
RoHS Compliant	Yes					
Mounting	5.5 mm dia. (two holes)					
Environmental						
Operating temperature range	-35 °C to +70 °C					
Humidity	< 95%					
Ingress Protection	IP65					

ORDERING

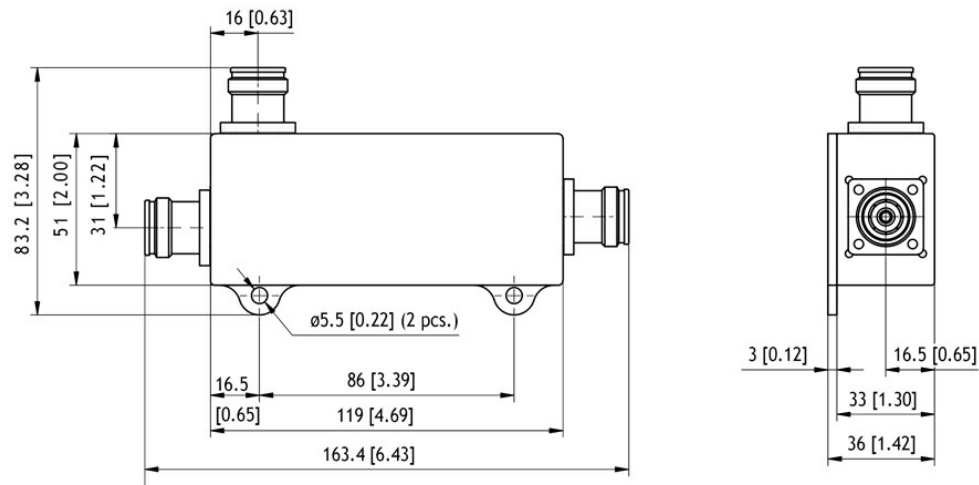
Model	Product No.	Frequency
3 dB Coupling	ADC-03-WBM-LP-43F-CC	698 - 2700 MHz
6 dB Coupling	ADC-06-WBM-LP-43F-CC	698 - 2700 MHz
10 dB Coupling	ADC-10-WBM-LP-43F-CC	698 - 2700 MHz
15 dB Coupling	ADC-15-WBM-LP-43F-CC	698 - 2700 MHz
20 dB Coupling	ADC-20-WBM-LP-43F-CC	698 - 2700 MHz
30 dB Coupling	ADC-30-WBM-LP-43F-CC	698 - 2700 MHz

MOUNTING DETAILS

ADC-03-WBM-LP-43F-CC
 ADC-06-WBM-LP-43F-CC



ADC-10-WBM-LP-43F-CC
 ADC-15-WBM-LP-43F-CC
 ADC-20-WBM-LP-43F-CC
 ADC-30-WBM-LP-43F-CC



All dimensions are given in mm [in.]

