

Marine 4-Way Swivel Ratchet Mounts, Adapter Tube, Marifix Barrel Spring

DESCRIPTION

> MariFix1 / MariFix 2

- > The 4-way swivel ratchet mounts permit mounting of marine antennas on slanted decks, cabin roofs or bulkheads mounting.
- > Fast-release locking mechanisms allows antenna to fold down.
- > Vibration secure and fast-release locking mechanisms make tilting and complete lay-down of the antenna quick and easy.
- > The MariFix 1 is made of chromed brass.
- > The MariFix 2 is made of UV resistant polycarbonate.
- > Max. antenna height with the MariFix 1 and MariFix 2 mounts
 - > MariFix 1: Max. 4.5 m
 - > MariFix 2: Max. 2.0 m
- > To prevent damage it is recommended to lay down long antenna elements when the vessel is operated at high speed.
- > The Marifix mounts are delivered with stainless steel screws/bolts, spring washers, and bolts along with a gasket.

> ADT

- > Use the ADT adapting tube or MBS to fix antennas (based on mounting with revolving nut on 1" threaded water pipe) on the MariFix 1 / MariFix 2.

> MBS

- > The MBS (MariFix Barrel Spring) is designed to move and flex with the antenna to prevent damage from strong winds or low hanging objects.
- > The MBS is designed to move and flex with the antenna to prevent damage from strong winds or low hanging objects.
- > The barrel spring is made from stainless steel for long lasting finish.
- > Max. antenna height: 1.2 m.



SPECIFICATIONS

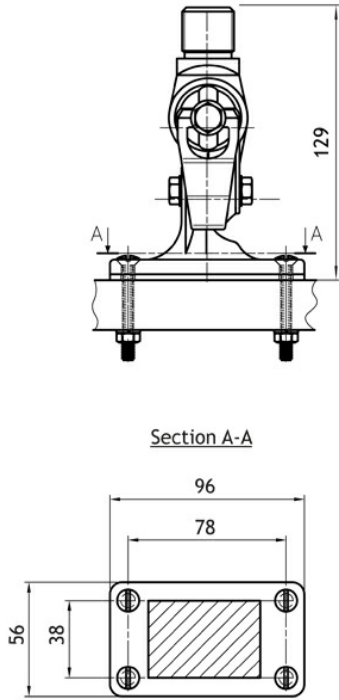
Electrical				
Model	MariFix 1	MariFix 2	ADT	MBS
Application	Deck or bulkhead mount for marine antennas	Deck or bulkhead mount for marine antennas	Adapting tube	Adapting spring
Mechanical				
Materials	Chromed brass	Polycarbonate	Chromed brass	Chromed brass
Colour	Bright chrome	Marine white	Bright chrome	Bright chrome
Dimensions	96 x 56 x 129 mm / 3.78 x 2.20 x 5.08 in.	104 x 66 x 130 mm / 4.10 x 2.60 x 5.12 in.	ø33 x 110 mm / ø1.30 x 4.33 in.	ø51 x 131 mm / ø2.01 x 5.16 in.
Antenna Height	Max. 4.5 m	Max. 2.0 m	-	-
Weight	Approx. 0.81 kg / 1.80 lb.	Approx. 0.22 kg / 0.50 lb.	Approx. 0.19 kg / 0.42 lb.	Approx. 0.7 kg / 1.54 lb.
Thread Type	1"-14 NF	1"-14 NF	Top (ext.): G1"-11 (1" RG) Bottom (int.): 1"-14 NF	Top (ext.): G1"-11 (1" RG) Bottom (int.): 1"-14 NF

ORDERING

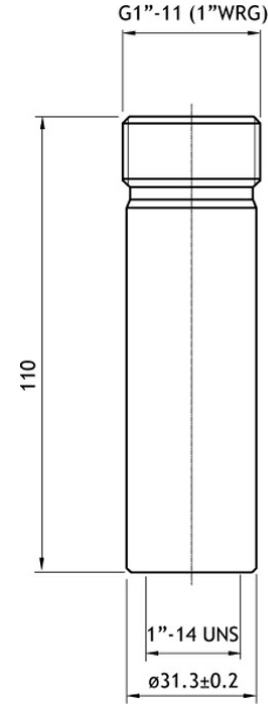
Model	Product No.	Description
MariFix 1	110000050	Heavy-duty, chromed brass ratchet mount for deck or bulkhead mounting.
MariFix 2	110000048	Medium-duty, polycarbonate ratchet mount for deck or bulkhead mounting.
ADT	110000049	Adapting tube.
MBS	110000323	MariFix Barrel Spring

MOUNTING DETAILS

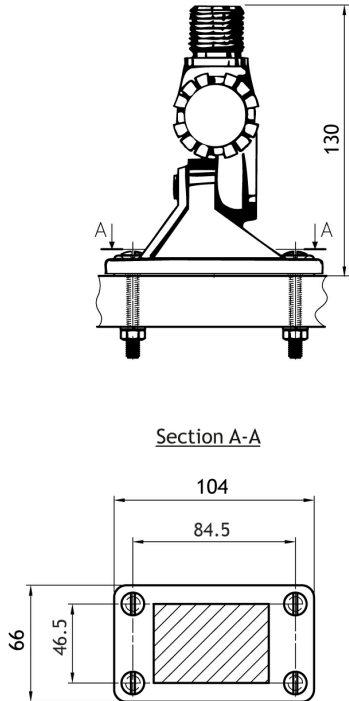
MARIFIX 1



ADT



MARIFIX 2



MBS

